

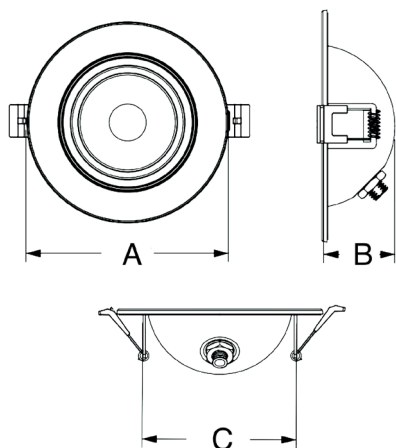
TITANIUM

TECHNOLOGY

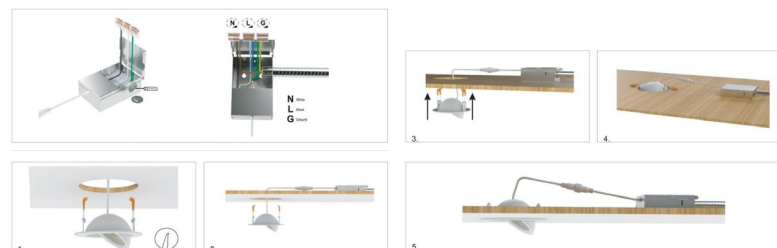
TT-P120S



- Slim recessed.
- Ideal for suspended ceilings and places with limited clearance.
- Adjustable beam.
- Single-point rotation module and 90° tilt



Voltage	120vAC		
Power	7W	9W	12W
Amperage	0,07A	0,08A	0,11A
Angle	40°		
Lumen	690lm	850lm	1000lm
CRI	90		
Size	A - Ø111 mm Ø 4 ³ / ₈ "	A - Ø 125 mm Ø 4 ¹⁵ / ₁₆ "	A - Ø 191 mm Ø 7 ¹ / ₂ "
	B - 35 mm 1 ³ / ₈ "	B - 39.5 mm 1 ¹ / ₂ "	B - 51 mm 2"
Cut hole	C - 85 mm 3 ¹ / ₂ "	C - 95 mm 3 ³ / ₄ "	C - 153 mm 6"
Finish	WH - White BR - Brush nickel BK - Black		
Dimmable	Yes		
LED Colour	CCT - White 2700K-3000K-3500K- 4000K-5000K		
Operating temperature	-40°C~40°C		
IP	44 (damp location)		



PRODUCT CODE

TT	-	MODEL	-	POWER	-	FINISH	-	LED COLOR
TT	-	P120S	-	9W	-	BK	-	CCT
TT	-	P120S	-		-		-	CCT